

VersiWall[®] GM

Green Wall



**Creating Cities
Where Urban Meets Nature**



Our Innovation Your Solution

VersiWall[®] GM is an engineered modular system for creating attractive and sustainable living walls. It is a source of visual amenity in built environments and provides thermal insulation and cooling benefit to buildings, enhances noise attenuation, and helps to improve air quality.

Engineered in Australia



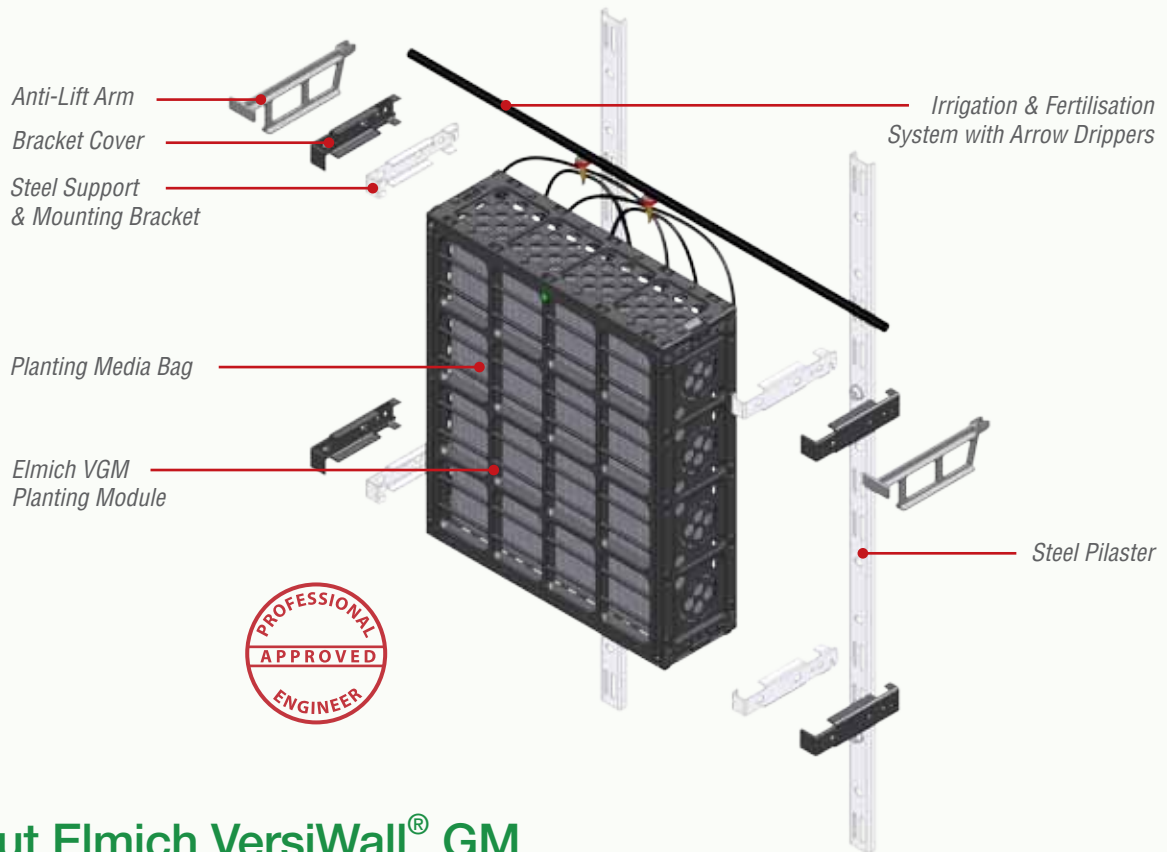
FIND US ON



local brands

Elmich VersiWall® GM

Elmich VersiWall® GM offers architects and developers a complete, durable and dependable, solution for turning heat-absorbing and often dull and monotonous walls into cool and attractive living walls that assimilate seamlessly into a natural or garden environment. It forms an insulating barrier that protects a building from the harmful effects of sunlight and UV exposure, provides noise attenuation, and helps to improve air quality.



About Elmich VersiWall® GM

Elmich VersiWall® GM is an engineered architectural living wall system comprising VGM® planting modules each with a geotextile media bag, support brackets with covers, anti-lift arms and anchoring pilaster systems. This is paired with our proprietary planting media and an automated drip irrigation-cum-fertilization (fertigation) system to ensure optimum results.

VersiWall® GM uses UV-stabilised plastic modules and stainless steel support brackets and pilasters. VersiWall® GM is certified by independent international test authority to withstand wind uplift from various directions at 110km/h.

Installation of VGM®



Completed Installation



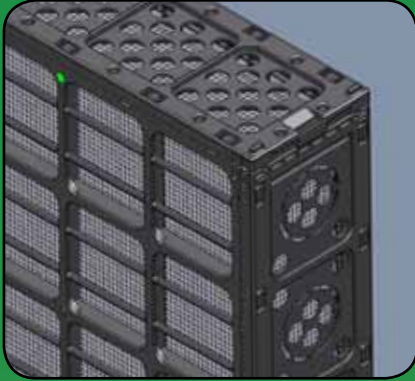
Mature VersiWall® GM



Distinctive Features

All-Around Planting

VGM® cut-away side openings enable all-around planting when required. The module design minimises warping and bulging and allows top panel to be removable.



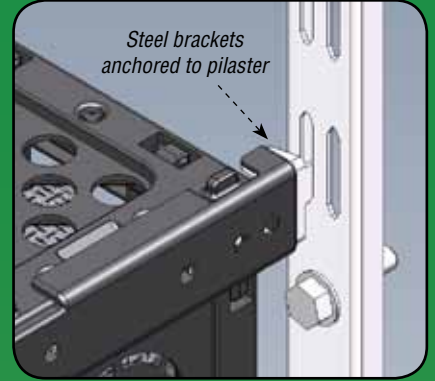
Pre-Planting

VGMs pre-planted off-site allow the plants to firmly take root and be vertically orientated. This enables mature living walls to be established soon after installation.



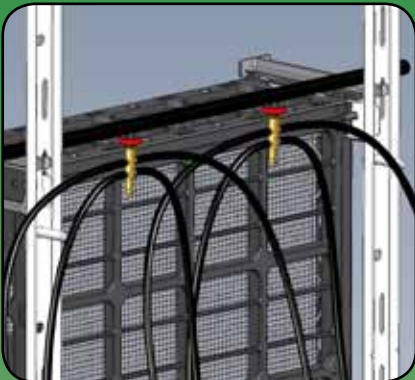
Securing System

Each VGM® is secured by 4 steel brackets anchored to steel pilasters that require minimal wall penetrations. This mounting system is Professional Engineer (PE) certified.



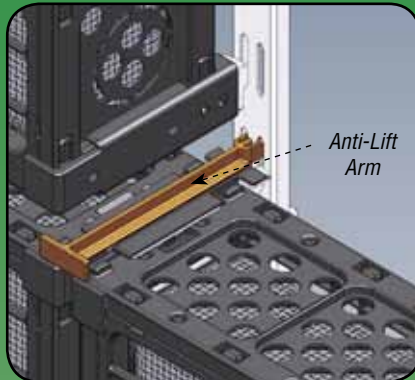
Fertigation System

Automated fertigation system with arrow head drippers are inserted directly into the planting medium delivering water and fertilizers directly to the plant root zone.



Anti-Lift Arm

Anti-Lift Arms prevent the VGM® lifting off the pilasters during inclement weather. Steel brackets and pilasters are engineered to high safety standards.



Planting Media

Lightweight and predominantly inorganic planting medium resists slumping. Large media volume and proprietary additives allow a wide variety of plants and ensures sustainability.



Projects



Technical Specifications

VGM

Size

- actual (mm)	560 (H) x 480 (W) x 150 (D)
- nominal (mm)	600 (H) x 500 (W) x 150 (D)

Internal volume (l)

~ 26

Weight

- with media & plants (Kg)	~ 30
----------------------------	------

Material

Polypropylene

Colour

Black

Mounting System

Material	Stainless Steel 304/316
----------	-------------------------

Support Brackets

4

Pilaster length (m)

0.6, 1.2 and 1.8

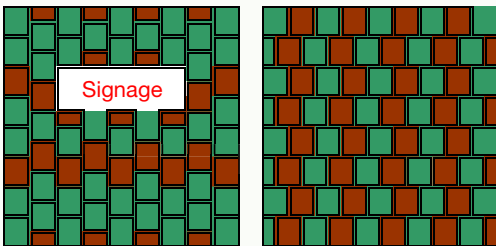
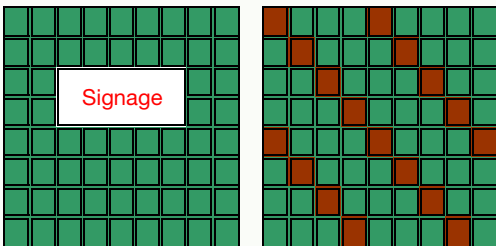
Máx. load (Kg/m²)

up to 1000

Advantages

- Professional Engineer (PE) Certified
- Wind load tested against wind uplift in wind speeds of up to 110 km/h
- Lightweight and modular
- Robust and easy to assemble
- Easy mounting and dismounting of modules
- Wider plant selection with 150mm media depth
- Space for concealed drip irrigation facilities
- Modules pre-planted in nursery before installation
- Module arrangement and design can be predetermined off-site
- Modules are made from 100% recycled plastics
- Supports Green Building Certification

Modular design allows flexibility for green wall design layouts to be combined with other finishes such as timber, stone and signage.



 VGM® with plants

 Other finishes



Orchard Central Mall Roof Garden, Singapore (Winner of Skyrise Greenery Award 2009)



A security hologram has been applied on all our products to ensure that the end-user receives the best quality and original Elmich product.

Distributed by:

Note: The information provided in this brochure is based on current knowledge and experience and does not infer any legally binding assurance or warranty, expressed or implied. Intending purchasers should verify whether any changes to specifications or applications or otherwise have been made since the issue of this literature. Environmentally-friendly recycled materials are used in product manufacture wherever possible. Physical product properties including colour may differ due to source of raw materials used. Colour may also fade due to UV exposure. All components of the product are designed for specific application, design calculations and any variation and/or deviation therefrom shall be the responsibility of the specifier and/or user.



ELMICH PTE LTD www.elmich.com

Singapore: (+65) 6356 2800

info@elmich.com

Singapore | Australia | Germany | Switzerland | United States

