

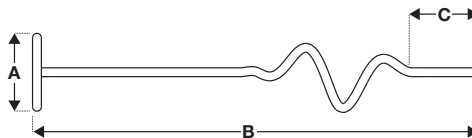
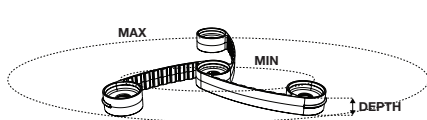
A flexible solution for securing and promoting the healthy growth of containerised plants and trees.

FEATURES / BENEFITS

- Stabilises containerised plants against exterior forces preventing blow over
- Prevents damage to plants, loss of soil and fertilisers and damage due to frost
- Promotes air root pruning meaning larger healthier plants with stronger root systems
- Prevents rooting in of the plant to ground allowing easy removal
- Allows flexible spacing of containers giving easy access for irrigation and workforce
- Flexes to suit the size of the socket pot
- Can be used with up to 4 TLP1 anchors depending on load requirements



SPECIFICATION



Pot Size Specification:

To fit: 10 - 57 litre pots

Material Specification:

Pot-Lock	UV & hydrolysis resistant polypropylene
TLP-1	Galvanised high tensile spring steel

Max. Diameter (mm)	310
Min. Diameter (mm)	160
Depth (mm)	25

Dimension	Length (mm)
A	35
B	200
C	28

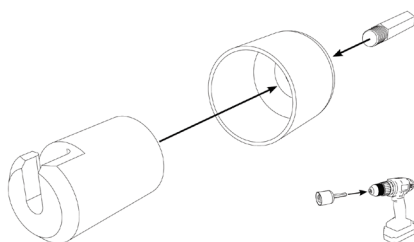
INSTALLATION TOOLS



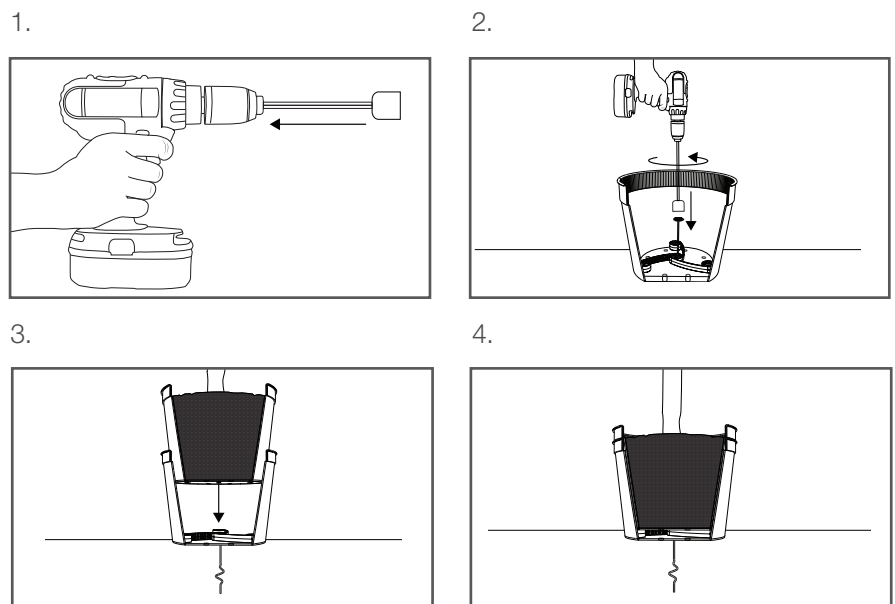
Extended Chuck (490 mm)

For more information contact us or visit our website - www.gripple.com

CHUCK ASSEMBLY



INSTALLATION



For more information on how to install the Pot-Lock visit our Youtube channel - GrippleTV. Alternatively see Installation Guidelines & Procedures.